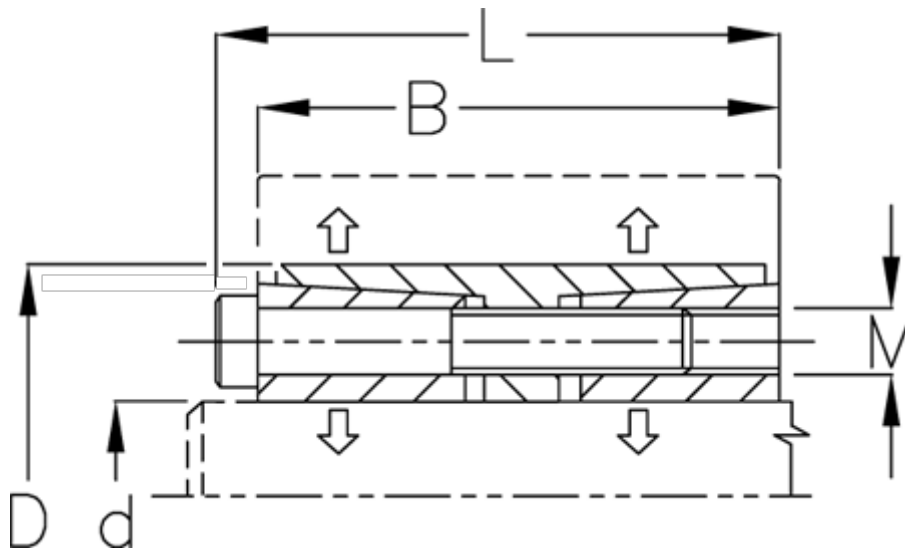


Article number: 4395001001

Description: Rota-fix shaft-hub connection F100x145  
Stainless steel

## Measures



B mm	= 102
d H8 mm	= 100
D mm	= 145
Fit tolerance	= Aksel h8, Nav H8
F kN torque	= 289.0
L mm	= 114
M mm	= M12
P N/mm <sup>2</sup> surface pressure on shaft/hub	= 36

Surface roughness	= R? ? 3.2 $\mu$ m
T N m torque	= 14400
Ts N m bolt tightening torque	= 100.0